

4K - UHD

Video Wall Controller



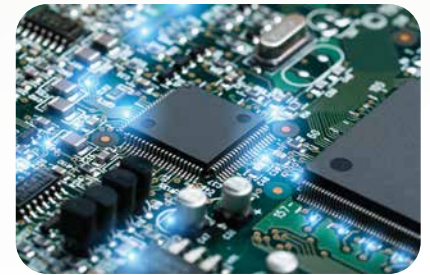
4K-UHD FPGA VIDEOWALL CONTROLLER



Hardware Based Design

High performance video processing equipment with hardware architecture design. ★

- No more computer high-end specification. ★
- No more high-end GPU Card. ★
- No more licenses. ★
- No more blue-screen OS crash. ★
- No more viruses and black screen. ★
- No more ransomwares, lost data. ★
- Support up to 72 input x 72 output. ★



FPGA Dedicated Chipset

Dedicated Field Programmable Gate Array (FPGA) chipset is a combination of processing unit that dedicated in video processing. This eliminated the limitation of a CPU or a GPU from conventional Software or PC controller.

Without the use of PCI - Express card, the unit can work flawlessly when adding or editing the total layout of the videowall set up. As each of the FPGA chip is working independently, user can replace or add new input/output card to customize their system.

Module design with Hot Swap

Multiple form of connections for client to custom fit their system. Client can now combine HDMI - DVI - VGA - HDBaseT & IP Streaming in one total solution, maximizing system integration. Reduce total cost of investment in both pre/post phase of expansion. Chassis also support control over Remote control, TCP/IP, RS-232 & button, further simplify the complexity of connections and management.

Features

- **Modular design - Mix and Match**
8 x 8 up to 72 x 72 (input x output) with mixing ports
- **Easy control with Drag & Drop**
Customize complex layout with simple Click - Drag - Drop
- **4K Video Wall with Flexible set up**
Support DVI-I / HDMI / 3G-SDI / HDBaseT / VGA
Support resolution up to 4K@60Hz for both input / output (HDMI-4K)
- **Seamless Switching**
5ms seamless switching between signal sources. No blank or flicker.
- **Specialized video setting - Quatro Vision™**
Multi-view with 4 video sources in each display. Preset (Scene) schedule
- **Audio Channel**
HDMI / SDI / HDBase-T ports support embedded audio
- **Advance Matrix / Videowall controller**
Auto detect input status, controller status, EDID management, redundant power supply

Full-HD /4K HDMI I/O Card



DVI I/O Card



HDBase-T I/O Card



VGA / YPbPr I/O Card



SDI I/O Card



VIDEO WALL CONTROLLER with SEAMLESS - AMC4 Series 32 x 32 QUATRO VISION - 4K@60Hz Video Wall

FEATURES

- Pure Hardware Structure - FPGA
- Modular Design with Video Wall.
- Seamless Switching - Flex EDID
- Multiple format I/O Card
- Flexible output resolution with OSD
- RS-232 control support (IN & OUT)
- Easy manage with TCP/IP
- Drag & Drop with 32 Preset support
- Front buttons with backlight
- Quatro Vision™ - 4 sources per display
- Support redundant power supply (opt)



SPECIFICATION

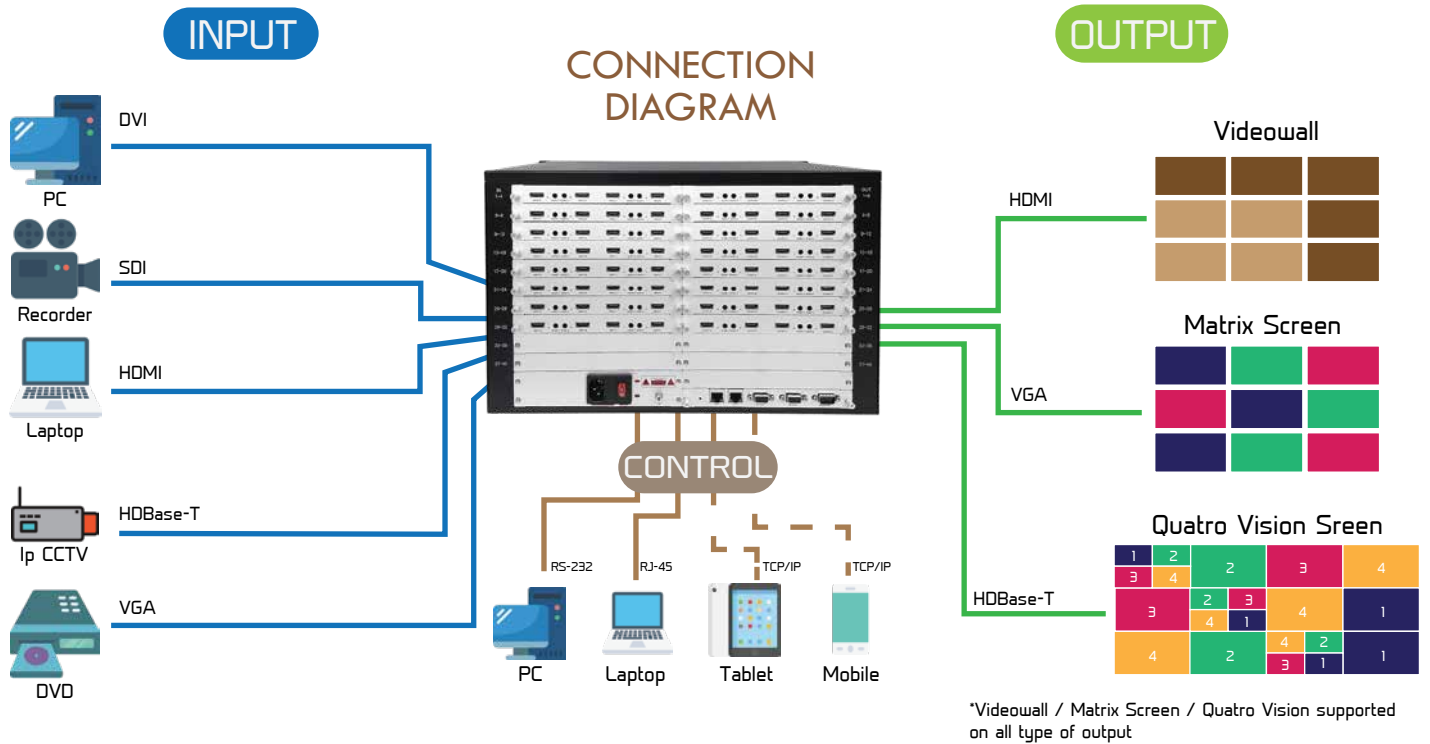
Start up time	10s
Switching time	5ms
Chassis size (mm)	6U 440 x 300 x 267 mm
Max Data Rate	18 Gbps (max)
Input Interface Port	1 - 32
Output Interface Port	1 - 32
Interface Support (Input / Output)	VGA /3G-SDI / HDMI HDBase-T / DVI / CVBS
Control	TCP-IP (RJ-45) x 2 / Front Button RS-232 in & out / WEB GUI
HDMI version	1.4 - 3D, Deep Color/ 2.0 with 4K cards*
HDCP version	1.4 / 2.0 / 2.2
Distant support	3-300m with AOC cables / Extenders
Resolution Input / Output (8 Bit RGBA color)	1280 x 720 @ 120Hz 1920 x 1080 @ 60Hz 1920 x 1200 @ 60Hz 4096 x 2160 @ 30Hz / 60Hz (4:4:4)
Software Language	English / Chinese

Processing chipset	FPGA - Tritium™ 2 nd gen
Screen signal	4 signal Quatro Vision™
Hot-swap EDID	Support Auto/ Smart EDID
Power supply	Main - Support Redundant (OPT)
Interface link	Analog - Digital
Output restriction	Support all type of display (Screens / Projectors / DLP / LED)
MTBF	55,000 hours with 24/7 operation
Pixel Clock	225 Mhz
HDMI impedance	100 Ω - ESD Protection
Power Rating	100-240 VAC; 50/60Hz
Power Consumption	100 - 450 W
Fan Airflow	55 - 65 cfm (12VDC)
Operating Temperature	-15 ~ 65°C
Storage Temperature	-30 ~ 75°C
Storage / Operating Humidity	5~95% RH /10~90% RH (without condensation)

*4 Windows Quatro Vision™ configuration will take signal from all 4 port of the ouputs from each card. Contact ANGUSTOS Technician if you need more information.

*HDMI 2.0 is supported when connect to 4K HDMI / 4K DP input and output cards.

VIDEO WALL CONTROLLER with SEAMLESS - AMC4 Series 32 x 32 QUATRO VISION - 4K@60Hz Video Wall



I/O CARD SPECIFICATION

Model	AMC4-CO-4HK6	AMC4-CO-4HK3	AMC4-CO-4D	AMC4-CO-4S	AMC4-CO-4HDBT70	AMC4-CO-4HDBT100	AMC4-CO-4V
Interface	HDMI x 4	HDMI x 4	DVI x 4	SDI X4	HDBase-T (RJ-45) X 4	HDBase-T (RJ-45) X 4	VGA (DB15) x 4
Audio Interface	3.5mm Terminal	3.5mm Terminal	DVI1.0	3.5mm Terminal	3.5mm Terminal	3.5mm Terminal	3.5mm Phoenix
HDMI Version	HDMI 2.0b	HDMI 1.4b	DVI-I, 24+5	HD-SDI/3G-SD	HDMI 1.4b	HDMI 1.4b	RGB (Analogue)
Max. data rate	18Gbps	10.2Gbps	4.95Gbps	2.97Gbps	10.2Gbps (70m)	10.2Gbps (100m)	0.7Vp-p
Resolution	4K@60Hz (4:4:4)	4K@30Hz (4:4:4)	1920x1200@60Hz	1080P@60fps	4K@30Hz (4:4:4)	4K@30Hz (4:4:4)	1920x1200@60Hz
HDCP	HDCP 2.2	HDCP 1.4			HDCP 1.4	HDCP 1.4	

Model	AMC4-CIN-4HK6	AMC4-CIN-4HK3	AMC4-CIN-4D	AMC4-CIN-4S	AMC4-CIN-4HDBT70	AMC4-CIN-4HDBT100	AMC4-CIN-4V
Interface	HDMI x 4	HDMI x 4	DVI x 4	SDI X4	HDBase-T (RJ-45) X 4	HDBase-T (RJ-45) X 4	VGA (DB15) x 4
Audio loop out	3.5mm Terminal	3.5mm Terminal	DVI1.0	3.5mm Terminal	3.5mm Terminal	3.5mm Terminal	3.5mm Phoenix
HDMI Version	HDMI 2.0b	HDMI 1.4b	DVI-I, 24+5	HD-SDI/3G-SD	HDMI 1.4b	HDMI 1.4b	RGB (Analogue)
Max. data rate	18Gbps	10.2Gbps	4.95Gbps	2.97Gbps	10.2Gbps (70m)	10.2Gbps (100m)	0.7Vp-p
Resolution	4K@60Hz (4:4:4)	4K@30Hz (4:4:4)	1920x1200@60Hz	1080P@60fps	4K@30Hz (4:4:4)	4K@30Hz (4:4:4)	1920x1200@60Hz
HDCP	HDCP 2.2	HDCP 1.4			HDCP 1.4	HDCP 1.4	