

4K - UHD

Video Extender Over IP



4K-UHD Video Extender over IP - Support Video Wall



Hardware Based Design

High performance video processing equipment with ★ hardware architecture design.

- No more computer high-end specification.★
- No more high-end GPU Card.★
- No more licenses.★
- No more blue-screen OS crash.★
- No more viruses and black screen.★
- No more ransoms, lost data.★

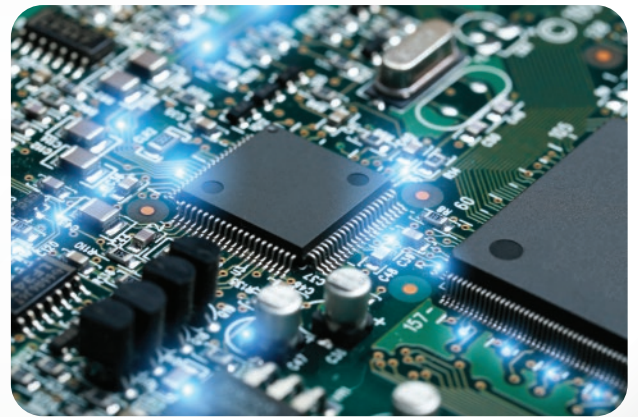
- Extender with UTP Cable.★
- Flexible system integration.★
- Compatible with Centralized Controller.★



FPGA Dedicated Chipset

Dedicated Field Programmable Gate Array (FPGA) chipset is a combination of processing unit that dedicated in video processing. This eliminated the limitation of a CPU or a GPU from conventional Software or PC controller.

- Un-limit scalability and flexible system
- Simplified IP setup process
- No additional server PCs or software required
- Extend further with daisy chaining



Features

- * HDMI 2.0 and HDCP 2.2 compliant
- * Multi-resolution up to 3840x2160@60Hz
- * Support HDMI loop out on Transmitter
- * Extend video signal from single cast to multi-cast
- * Extender, splitter, matrix switch, video wall in one solution
- * Support video wall / matrix with Seamless Switch
- * Support RS-232 and TCP/IP control
- * Support USB for extended KVM applications.



4K OVER IP - 1GbE HDMI EXTENDER - USB KVM Support Video Wall Processing

Features

- * HDMI 2.0 and HDCP 2.2 compliant
- * Multi-resolution up to 3840x2160@60Hz
- * Support HDMI loop out on Transmitter
- * Extend video from single cast to multi-cast
- * Extender, splitter, matrix and video wall in one solution
- * Support seamless switching
- * Support RS-232 and TCP/IP control
- * Support USB for extended KVM applications.



SPECIFICATION

Chassis size	204mm (W)×100mm (D)×21.5mm (H)
Max. Data Rate	18Gbps
Compression	JPEG2000
Video Bandwidth	Gigabit
HDMI Protocol	HDMI 2.0b with backward compatible
Audio	3.81mm Phoenix + 3.5mm Audio Jack
Control I/O	IP / RS-232 / USB / IR
Color Depth	8/10/12 bit
Color range	RGB, YCbCr 4:4:4 / 4:2:2, YUV 4:2:0
HDMI Audio Formats	LPCM 2.0/5.1/7.1CH, Dolby Digital Dolby Atmos, DTS, DTS-96/24, DTS-EX DSD, DTS High Res, DTS-HD Master
Transmission Distance	100M CAT5E/6/6A/7
Control I/O	IP / RS-232 / USB / IR
IR Level	12Vp-p
IR Frequency	Wideband 20K - 60KHz
Weight	TX:509g, RX:496g
HDMI Cable length	*High Speed Gold Plus HDMI: 4K@60Hz : 5 meters 4K@30Hz : 10 meters 1080p@60Hz : 15 meters

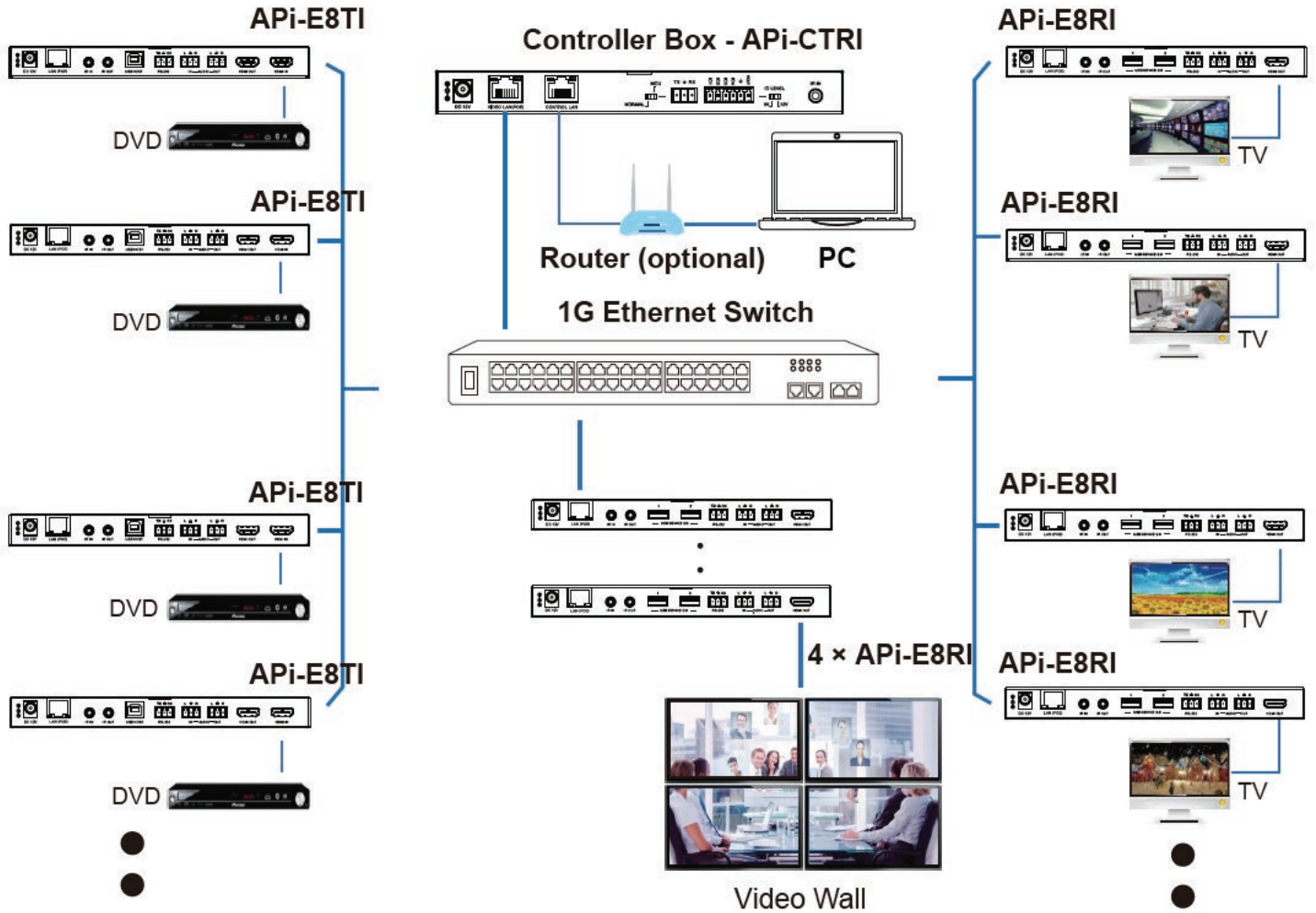
HDCP	Support 1.3 / 1.4 / 2.2
EDID	Auto - Program
ESD Protection	±8kV (Air-gap discharge) ±4kV (Contact discharge)
Resolution Input (max)	480i~1080p@50/60Hz, 4K@60Hz
Resolution Output (max)	480i~1080p@50/60Hz, 4K@30Hz
Scaler	Support both up/down scaling
Power	10W, 110 ~ 260V, 50-60 Hz DC 12V/1A (CE/FCC/UL certified)
Temp / Humid Operation	0°C ~ + 50°C / 0% ~ 90%
Temp / Humid Storage	-20°C ~ + 70°C / 0% ~ 90%

I/O Ports

	APi-E8Ti	APi-E8Ri
Input	1 x HDMI IN	1 x IR IN
	1 x L/R AUDIO IN	1 x MIC IN
	1 x IR IN	
Output	1 x HDMI OUT	1 x HDMI OUT
	1 x L/R AUDIO IN	1 x L/R AUDIO IN
	1 x IR OUT	1 x IR OUT
Control	1 x RS-232	1 x RS-232
	1 x LAN	1 x LAN
	1 x USB	2 x USB type A 1.1 2 x USB type A 2.0

4K OVER IP - 1GbE HDMI EXTENDER - USB KVM Support Video Wall Processing

CONNECTION DIAGRAM



REQUIREMENT FOR NETWORK SWITCH

A network Switch used to set up the system should support below features:

1. Layer 3/managed network Switch.
2. Gigabit bandwidth.
3. 8KB jumbo frame capability.
4. IGMP snooping.

The following Switch models are highly recommended :

CISCO : CATALYST series - SG500
HUAWEI : S5720S-28X-PWR-LI-AC