

PRO - AV

HI-END SERIES



HIGH-END DIGITAL SIGNAGE SYSTEM



Why choose ANGUSTOS Pro-AV ?

We can provide you the best solution that suits your TVs, interactive screens, meeting room high-end projector, digital signage and videowall system. We do not just simply sell the equipments but also a smart solution that is just as well designed as it is functional. Solutions that guarantee and define our brand:

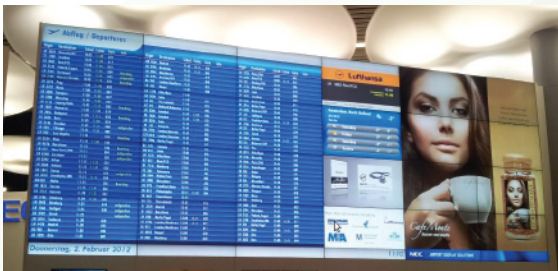
- Ease-of-use
- Design
- Innovation
- Reliability
- Ease-of-installation.

To help you find the exact solution you need, Angustos has an extensive product range that is possible to compose a solution for nearly every Pro AV application. Our highly skill solution teams are happy to help you to quickly find the best solution for your installation, saving you the time and effort and hassle for complex system.



ANGUSTOS PRO AV APPLICATIONS

- Media - Telecom - Broadcast
- Education - Training
- Manufacturing - Quality Control
- Retail - Advertising
- Meeting Room - Conference
- Healthcare visual system
- Entertainment
- Government - Control Room



HDMI eARC & Optical Audio over CAT Extender 100 meters Model : AHVE-HU10AF

FEATURES

- Extend HDMI eARC or S/PDIF audio signal up to 100m/328ft over a single CAT cable
- Support CEC pass-through when HDMI eARC mode is enabled
- Support the following audio formats:
eARC: PCM 2.0/5.1/7.1ch, DD, DD+, DTS, Dolby TrueHD, DTS-HD MA, Dolby Atmos
ARC: PCM 2.0ch, Dolby 5.1ch, DTS 5.1ch
S/PDIF: PCM 2.0ch, Dolby 5.1ch, DTS 5.1ch
- Support bi-directional PoC (Power over Cable) function
- Compact design for easy and flexible installation



PACKAGE CONTENT

- * HDMI Audio Extender (Transmitter) x 1
- * HDMI Audio Extender (Receiver) x 1
- * 1 x 12V/1A Locking Power Adapter

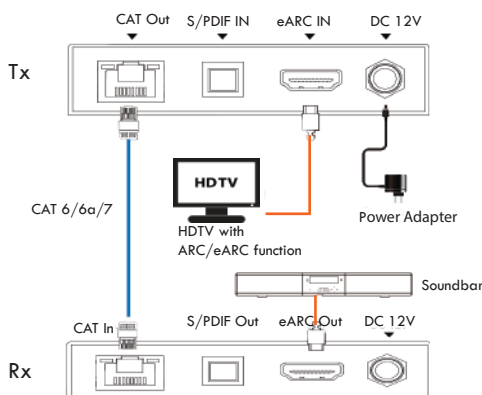
SPECIFICATION

Supported Audio Formats	ARC: PCM 2.0CH, Dolby 5.1CH, DTS 5.1CH eARC: PCM 2.0/5.1/7.1ch, DD, DD+, DTS, Dolby TrueHD, DTS-HD MA, Dolby Atmos S/PDIF: PCM 2.0CH, Dolby 5.1CH, DTS 5.1CH
Transmission rate	100m/328ft
Input Connectors	1 x S/PDIF IN - Tx 1 x eARC IN - Tx 1 x CAT IN [RJ45, female] - Rx
Control	1 x SERVICE

Output Connectors	1 x CAT OUT [RJ45, female] - Tx 1 x S/PDIF OUT - Rx 1 x eARC OUT - Rx
Operating Temperature	0°C ~ 40°C / 32°F ~ 104°F
Storage Temperature	-20°C ~ 60°C / -4°F ~ 140°F
Relative Humidity	20~90% RH (non-condensing)
Dimension	90mm (W) × 72mm (D) × 20mm (H)
Weight	184g
Power Supply	Input: AC100~240V 50/60Hz
Power consumption	5.65W (Max)
Power adapter	DC 12V/1A

CONNECTION DIAGRAM

Situation 1: eARC Mode



Situation 2: S/PDIF Pass-through Mode

