



HIGH DENSITY - SHORT DEPTH KVM SWITCH SERIES



AR-V16L

16-Port PS/2-USB VGA
Rackmount KVM Switch

Overview

Angustos AR-V16L LCD KVM Switch is optimized for high density Rack in modern Data Center.

A KVM Switch with 16 ports and supports computers with PS/2 or USB interfaces via cables. All packed in a 1U rackmountable metal housing. The short-depth design utilized for narrow space for short-rack mounting in condensed area. The AR-V16L can control up to 16 computers; with 16 additional KVM switches are cascaded on 3 level, a single AR-V16L KVM Switch can control up to 512 computers.

In addition, the AR-V16L included the computer selection via front panel pushbuttons, hotkeys and OSD. With all of the technology involved, the AR-V16L LCD KVM Switch has gone beyond the expectations and requirements for a modern Data Center use, which including : short space optimization, exceptional display quality, easy to install, extreme versatility.

Features

High Density Utilization

- One direct USB - PS/2 console controls 16 computers. **Does not require special console cable.**
- Dual interface supports with computers with PS/2 or USB keyboards and mice.
- Short-depth overall size allowing user to work with in condensed space of high density Rack
- Multiplatform support: compatible with all operation platforms PC (Windows, Linux and most others), Mac and Sun.

Flexible compatibility

- Superior video quality – up to 2048x1536 @60Hz; DDC2B; 16.7 Mil. Color. **Auto detecting EDID info.**
- Cascade up to 1024 computers from a single console (With compatible KVM Switches).
- Auto PS/2 and USB interface sensing.
- **Keyboard and mouse emulation (PS/2 and USB) for seamless switching.**
- Computer selection with pushbuttons, hotkeys, and multilingual on-screen display (OSD).
- Two level password security. Auto Scan function
- **Multicast Mode - Operate command action at the same time for all connected computers.**
- Operates with all software and operating systems including all Windows versions, DOS, Linux, Unix, BSD, all Sun OS, all Mac OS and NetWare.
- Keyboard Language supports: English (UK), English (US), German (GER.) Japanese, Korean, Russian, Swedish, Chinese.

Installation Flexibility

- Standard rack mount kit included
- No software required - Plug and Play
- Firmware upgradable
- Supports hot-plugging
- **Supports Over IP Module for Remote Control**



Raise efficiency



Multiple Connection



Saving time



Cascadable



Saving Cost



Password Protected



Plug and Play

Compatible Product



AR-V08L

SHORT DEPTH
RACK KVM SWITCH



AR-V16L

SHORT DEPTH
RACK KVM SWITCH



AIP-C

IP MODULE CARD



AR-V16L FRONT VIEW



AR-V16L REAR VIEW

Angustos

Angustos was founded in 2000 and is now regarded as one of the foremost manufacturers of digital and analogue KVM solutions.

For more than 20 years our customers have been convinced by our core competencies in extending, switching and distributing standardised computer signals.

We are committed to established international standards. We can provide customers with complete Datacenter solutions as well as OEM/ODM services. We can cover even from medium to small business, factory & industrial, military & government, home office & personal use.

KVM SWITCH MODULE

Direct PC connection	16
Maximum PC Connection	512
Port Selection	OSD, Button, Hot Key, IP (Opt)
Console Connector	VGA - DB15 Female x 1 USB Type A Female x 2 PS/2 Female x 2
KVM Connector	DB-15 Female x 16 RJ45 (Opt)
Video Resolution	2048 x 1536 DDC2B
Power	DC Jack
Switch button	Button x 16
Reset Switch	Semi recessed button
Status LEDs - Nixie Tube	Green led (Selected Port) Red led (Online Port)
Server Interface	PS/2, USB

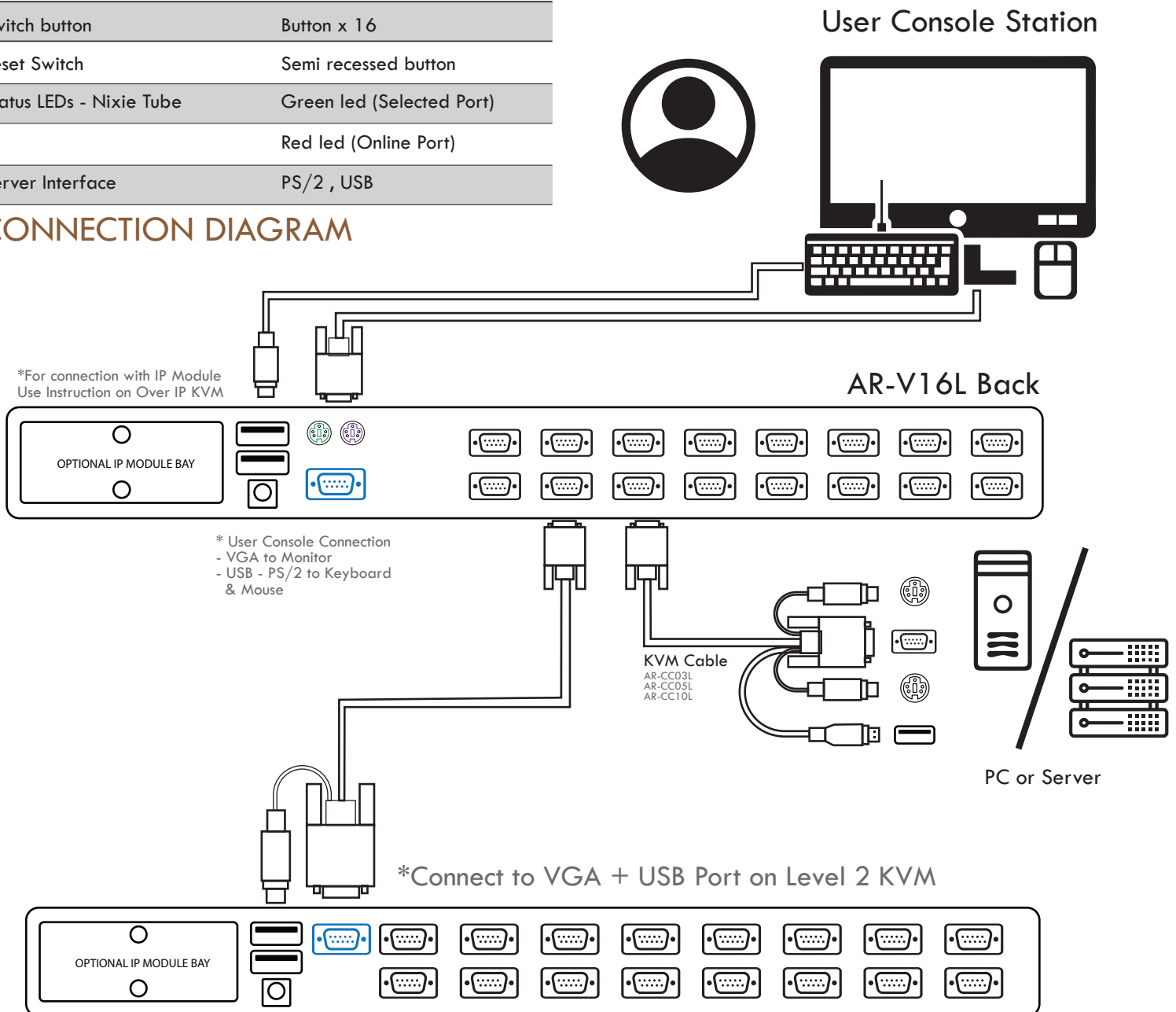
OPERATIONAL SPECIFICATION

Operating Temp	-10°C - 50°C
Storage Temp	-20°C - 60°C
Humidity	0-80%RH, No Condensation

PHYSICAL SPECIFICATION

Housing	Metal
Dimension	432 x 155 x 44 mm
Weight	1.82 Kg

CONNECTION DIAGRAM



Cascade KVM