



**AL-V908Pi** 8-Port PS/2-USB VGA  
Over IP LCD KVM Switch

**Overview**

Angustos AL-V908Pi LCD KVM Switch is optimized for Professional Data Center with high capacity connection and Over IP features.

Integrating a 19" LED screen, keyboard and mouse pad in a 1U rackmountable sliding housing. The short-depth design utilized for narrow space for short-rack mounting in condensed area. The AL-V908Pi can control up to 8 computers; with 16 additional KVM switches are cascaded and 2 levels of daisy-chain connect, a single AL-V908Pi LCD KVM Switch can control up to 256 computers.

The AL-V908Pi that allows both local and remote operators to monitor and access multiple computers. Remote users access the switches over the Internet by means of a web browser using TCP/IP for its remote communications protocol. This would help administrators manage their server room in an efficient and flexible manner, which would save both money and time for various market segment.



AL-V908Pi FRONT VIEW



AL-V908Pi REAR VIEW

**Features**

**High Density Utilization**

- Front USB for back up mouse-keyboard.
- LCD KVM console with an 19" LED-backlit 4:3 LCD monitor in a single rail design.
- Short-depth overall size allowing user to work with in condensed space of high density Rack
- Slide Lock – secure the console drawer to remain firmly in slide position when not in use.

**Wide range compatibility**

- Superior video quality – up to 1280 x 1024 @75Hz; DDC2B; 16.7 M. color
- Cascade up to 256 computers from a single console (With compatible KVM Switches)
- Over IP connection through TCP/IP with 256 bit SSL encryption of all transmitted data and certificate management.
- Keyboard and mouse emulation (PS/2 and USB) for seamless switching.
- Computer selection with pushbuttons, hotkeys, and multilingual on-screen display (OSD).
- Two level password security.
- Operates with all software and operating systems including all Windows versions, DOS, Linux, Unix, BSD, all Sun OS, all Mac OS and NetWare.
- Multiple Languages Keyboard options.
- CE / FCC / RoHS compliant

**Installation Flexibility**

- Standard rack mount kit included
- No software required - Plug and Play
- Firmware upgradable
- Supports hot-plugging
- Supports Over IP Module for Remote Control

Raise efficiency	Multiple Connection
Saving time	Cascadable
Saving Cost	19" Large (4:3)
Plug and Play	Password Protected

**Compatible Product**



AR-V08L

SHORT DEPTH  
RACK KVM SWITCH



AR-V16L

SHORT DEPTH  
RACK KVM SWITCH

*\*Please consult with distributor upon mixing connection L series and P series units*



AR-VC05P

PRO-SERIES  
KVM SWITCH CABLE

**Angustos**

Angustos was founded in 2000 and is now regarded as one of the foremost manufacturers of digital and analogue KVM solutions.

For more than 20 years our customers have been convinced by our core competencies in extending, switching and distributing standardised computer signals.

We are committed to established international standards. We can provide customers with complete Datacenter solutions as well as OEM/ODM services. We can cover even from medium to small business, factory & industrial, military & government, home office & personal use.

## KEYBOARD & MOUSE

Keyboard	104 Keys Mechanical Mute
	Multiple Languages Option
Compatible	Win/Sun/Unix/Linux/Mac
Mouse	Touchpad
Mouse Resolution	>1000 dots/inch (40x40/mm)
MTBF	1,000,000 Press

## KVM SWITCH MODULE

Direct PC connection	08
Maximum PC Connection	256
Port Selection	OSD, Button, Hot Key, IP
Console Connector	DB-15 Pins , RJ45 (IP Module)
KVM Connector	DB-15 Female x 08
Power	DC 12V/AC 100-240V, 50-60Hz
Switch button	Panel Digital Keys
Status LEDs	Nixie Tube (Selected Port)
Server Interface	PS/2 , USB
Cascadable	Support cascade 2 levels
	Daisy-chain 8 levels
IP Module	Config/Upgrad with Micro USB

## LCD MONITOR

Size / Ratio	19" / 4:3
Video	TFT - LCD. DDC2B
Visible Square	409.8 H x 230.4 V
Resolution	1280 x 1024 @ 75Hz (Optimal)
	1920 x 1200 @ 60Hz (Max)
Color	16.7 Mil. , True 8 Bit
Contrast	1000 : 1 (TyP)
Brightness	300 nit / 400 nit (optional)
Pixel Pitch	297 x 297 um
MTBF	100,000 hours

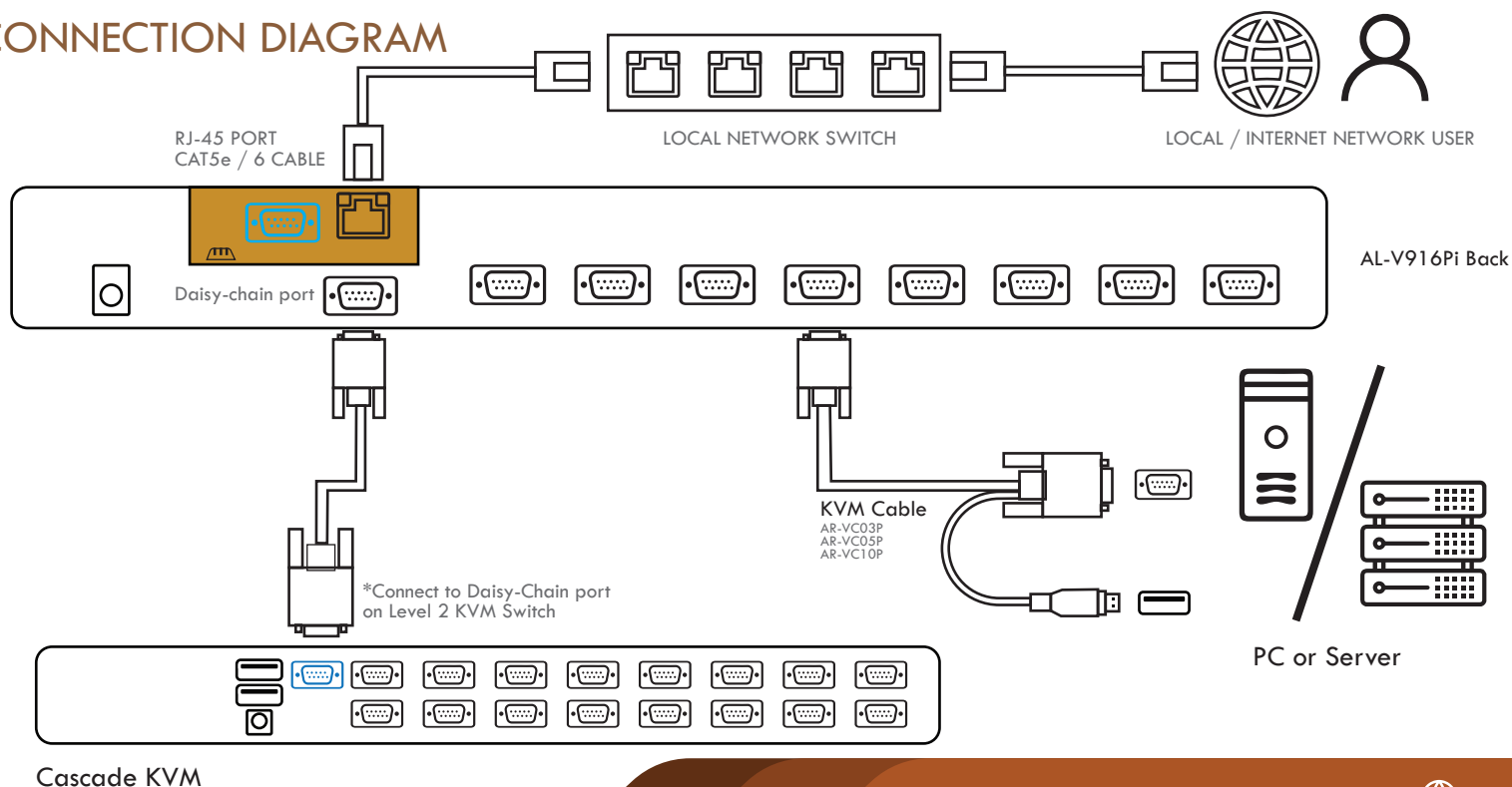
## OPERATIONAL SPECIFICATION

Operating Temp	-10°C - 60°C
Storage Temp	-20°C - 70°C
Humidity	0-95% RH, No Condensation

## PHYSICAL SPECIFICATION

Shock	10G acceleration (11ms duration)
Vibration	10-300Hz 0.5G RmS Random
Operating altitude	15,500 ft - 35,000 ft
Dimension	610 x 480 x 44 mm
Weight LCD / w. KVM	15 kg / 18 kg

## CONNECTION DIAGRAM



Cascade KVM